

110 SERIES

SLIMLINE CONSTANT FLOW REGULATOR

Features

An economical constant flow regulator for portable calibration gas cylinders with enhancements to improve on quality and reliability!

All wetted surfaces have a nickel coating enabling the same regulator to be used with reactive and non-reactive gases.

A better seal to minimise the risk of leakage when left on over-night.

On / off control via a threaded screw valve for ease of operation.



Applications

✓ Calibrating gas detectors

✓ Bump testing gas detectors

✓ Laboratories

✓ Specialty gases

Specifications

Application

Suitable for use with reactive and non-reactive gases in portable cylinders with a C-10 connection.

Inlet

C-10, 5/8" - 18 UNF Thread

Maximum Inlet Pressure

1000 PSI / 60 Bar

Gauge Pressure

0 to 1000 PSI (70 bar)

Maximum Outlet Flow or Pressure

6.0 LPM / 40 PSI

Standard Flow Rates

0.3, 05 and 1.0 LPM

Flow Rate Tolerance

+/- 10%

Outlet

3/16" Hosebarb / 4.8mm

Construction Materials Body

Passivated Nickel Plated

Seat

Teflon

Washer

Viton

O-Rings

Viton

Bonnet

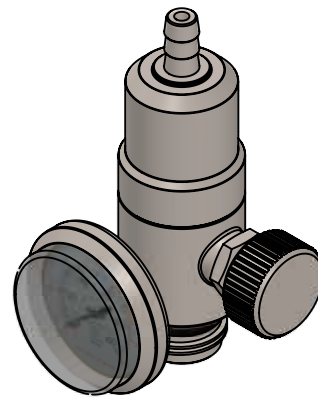
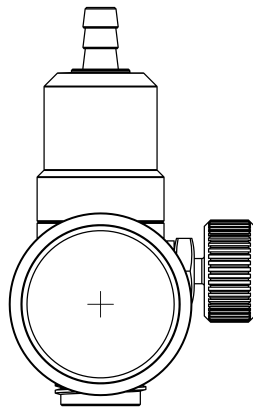
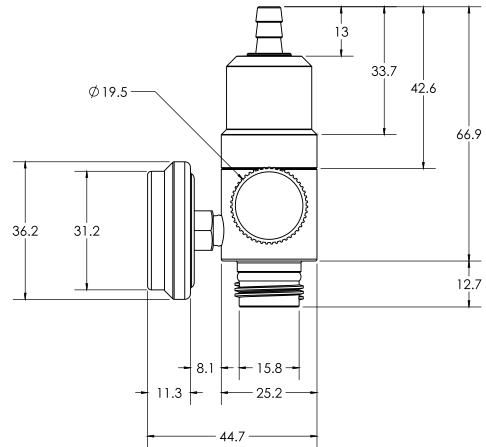
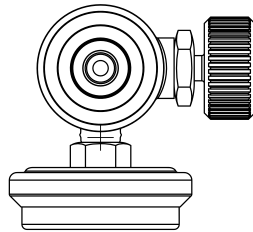
Nickel Plated Brass.

Weight

0.23 KG / 0.52 lb

Warranty

Two years



All dimensions are in mm.

Ordering Information

Choose from a wide selection of flow rates for different applications.

110	-	1	1	P	0.5
Series	-	Inlet Connection	Outlet Fitting	Flow Setting	Flow Rate (LPM)
110		1 – C10	1 - Hosebarb 3/16"	P – Preset	0.1 – 0.1 LPM
					0.3 – 0.3 LPM
					0.5 – 0.5 LPM
					1.0 – 1.0LPM
					1.5 – 1.5 LPM
					2.0 – 2.0 LPM
					3.0 – 3.0 LPM
					6.0 – 6.0 LPM